

CIRRUS SF50



Your Personal Jet

*Jetfly*

# THE VISION JET

The Cirrus SF50 is the world's first single-engine personal Jet, excelling in performance and safety. Fast yet small, the aircraft makes Jet speed, comfort and convenience accessible. With panoramic windows, it guarantees to provide you with a unique in flight experience.

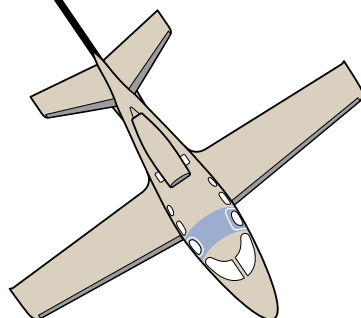






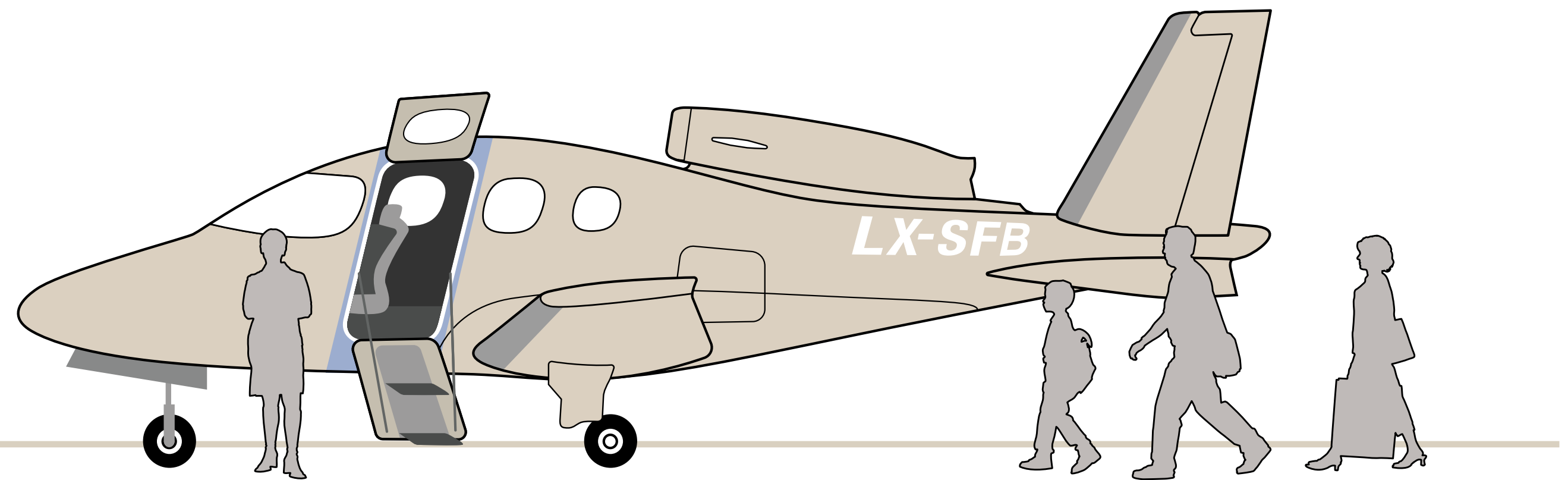
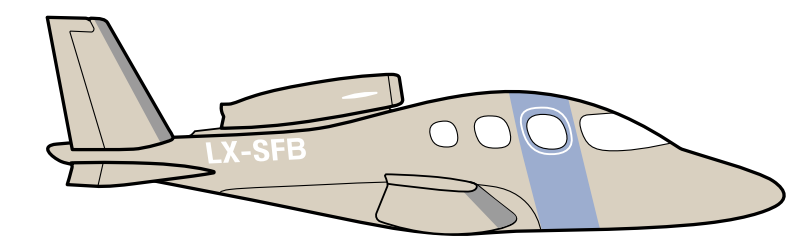
- Zone 1
- Zone 2
- Out of zone
- Restricted

- 1 1 Passenger / 02H30
- 2 2 Passengers / 02H00
- 3 3 Passengers / 01H40
- 4 4 Passengers / 01H20



# CIRRUS SF50

## SINGLE PILOT OPERATION



**CABIN**  
4,8 METERS <sup>3</sup>

**SEATS**  
4

**SPEED**  
305 KNOTS / 565 KM/H

**RANGE MAX** (1 pilot/1 passenger)  
950 NM / 1.760 KM

**LANDING**  
900 METERS





## A UNIQUE CABIN

The Cirrus Jet cabin provides passengers with ample shoulder and head space. Wide windows and modular seating add to the versatility and comfort of the cabin, accommodating 4 passengers.

## FINEST SAFETY FEATURES

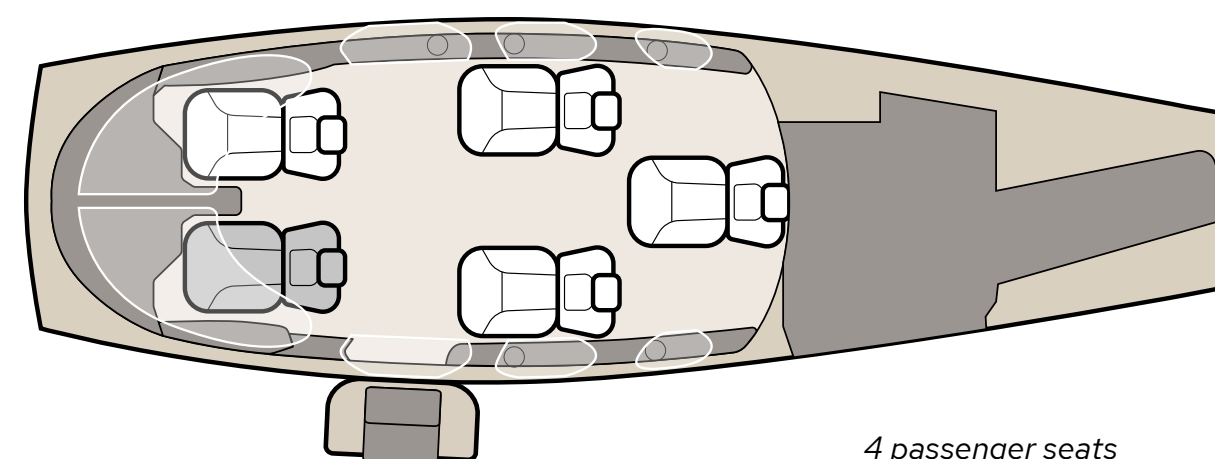
The combination of the **Cirrus Airframe Parachute System (CAPS)** and **Safe Return** emergency autoland provides the ultimate level of safety and assurance.



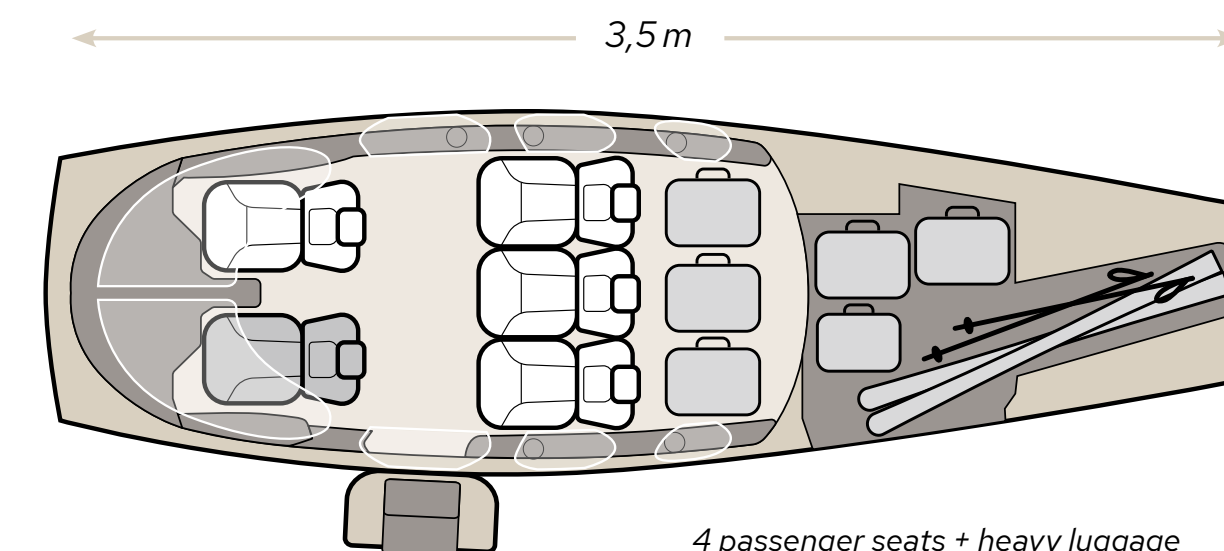
## CIRRUS JET ADVANTAGES

- 1 Fast and cost efficient
- 2 Outstanding safety features
- 3 Panoramic windows for an immersive experience
- 4 Unique flight experience on co-pilot seat

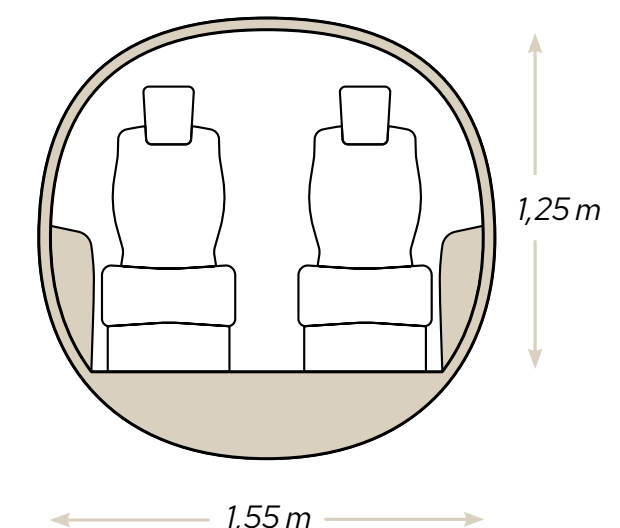
● 1 pilot ○ 4 passengers



4 passenger seats



4 passenger seats + heavy luggage







## UNIQUENESS OF THE CIRRUS JET

—  
SAFE

FAST

COST EFFECTIVE

RELIABLE

DISCRETE

*Jetfly*

+352 26 19 36 36  
info@jetfly.com  
www.jetfly.com

11, rue Jean Fischbach  
L-3372 Leudelange  
Luxembourg